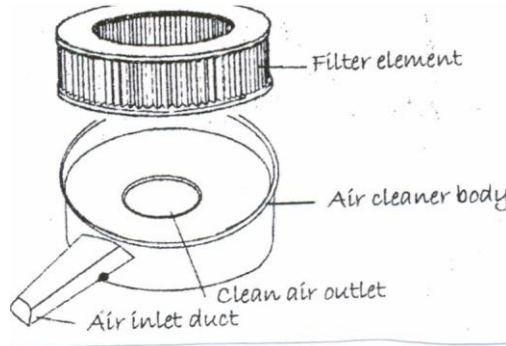


S 4 AGRICULTURE TEST ON MECHANIZATION 2013

1(a) The diagram below are parts of _____



(b) two properties of the filter element that allow it to perform its function well are

(i) _____

(ii) _____

So that it traps dust particles before entering the engine

(c) The farmer ensures the part does its Job well by

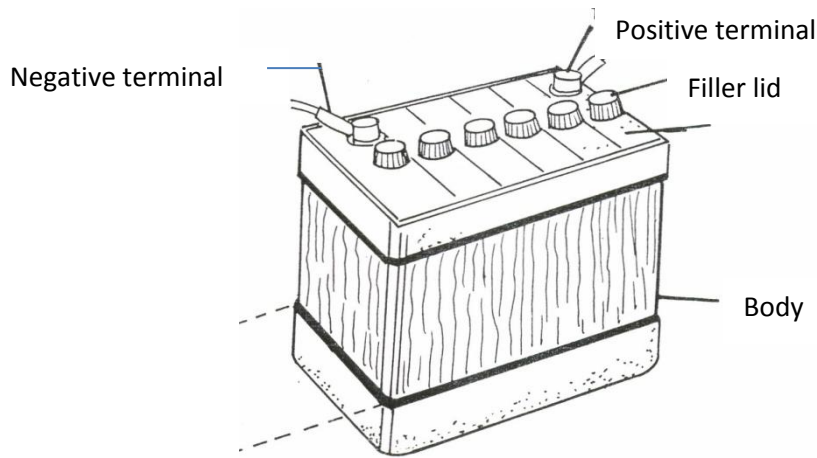
(i) _____ through it in the normal air flow direction.

(ii) _____ it regularly.

2 (a) The main components of the petrol engine ignition system are.

- _____
- _____
- _____
- _____
- _____
- _____
- _____

(b) The diagram below is a _____



(c) The current supplied by the component above is increased by the _____
then taken to the _____ which supplies each one of the spark plugs with an
electric current in time .

(d) The equipment used to test the charge of the component drawn is called a _____

(e) The filler lid/filter plug labeled on the diagram is used to add _____

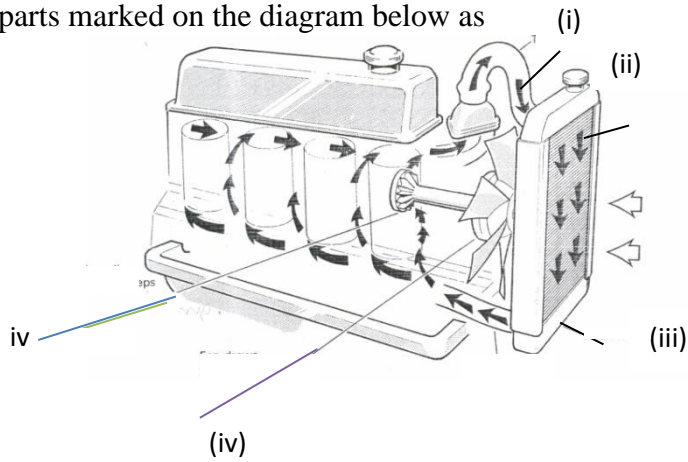
(f) Terminals of the component above should always be connected rightly onto the tractor, the
negative to the _____ and the positive to the _____

(g) Terminals should be kept clean of corrosive materials using _____ then
coated with

(l) The electrolyte used in the component drawn is dilute _____

(i) The system mentioned in 2(a) above is responsible for;

3. (a) Label parts marked on the diagram below as



- (i) _____
- (ii) _____
- (iii) _____
- (iv) _____
- (v) _____

(b) The diagram shows _____ system

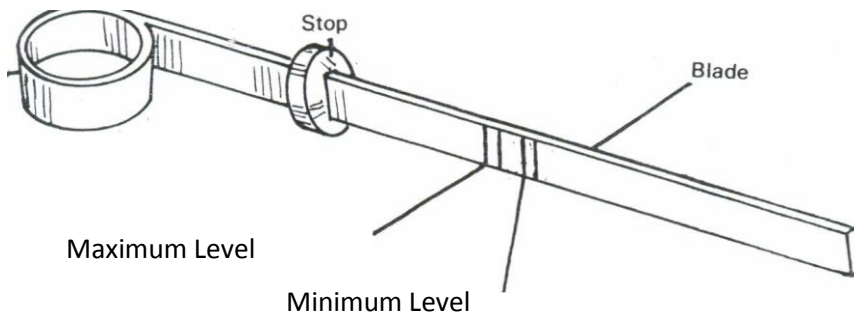
(c) A pump is included to increase the rate of flow of _____ from the bottom part of the _____.

(d) _____ prevents water from boiling and being lost by evaporation.

(e) _____ controls flow of water so that when engine is not working and temperature drop water does not have to flow through _____

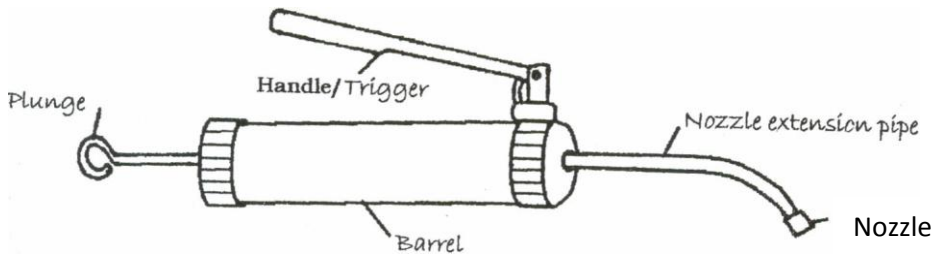
(f) Three of the causes of engine over heating are

4 (a) The diagram below is of _____



(b) The component above is used for testing _____ in a sump. it is brought of the sump _____ and put back in sump, then taken out again and _____ read off.

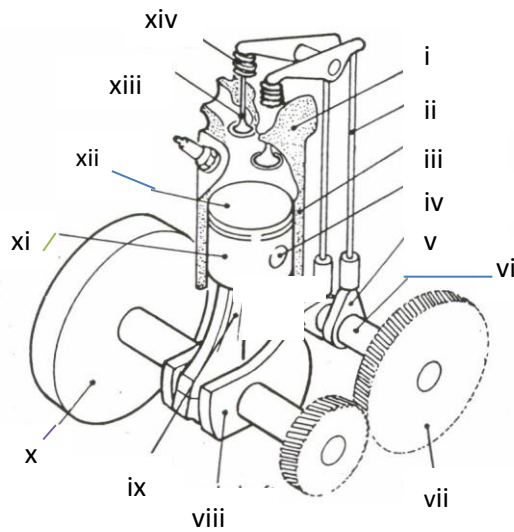
(c) The diagram below is of the _____



(d) Component drawn in C) above is used to apply _____ which is applied at _____ and _____

- (e) Both component in 4 a and 4c belong to the _____ system.
- (f) One function of system mentioned in the above is to establish a firm between moving parts eliminating _____ thus reducing _____ and wear,

5 (a) Label the parts marked by (i) to (xiv) on the diagram of main components of a 4 cylinder engine



- | | |
|-------------|--------------|
| (i) _____ | (viii) _____ |
| (ii) _____ | (ix) _____ |
| (iii) _____ | (x) _____ |
| (iv) _____ | (xi) _____ |
| (v) _____ | (xii) _____ |
| (vi) _____ | (xiii) _____ |
| (vii) _____ | (xiv) _____ |

b) The _____ is an air tight chamber where combustion of fuel occurs. it is sealed off by the _____ at the top. Air or air fuel mixture enters this area via the _____.

c) The _____ moves up and down in the _____ during the process of power production and forms an air tight seal at the _____

- d) The _____ joins together all connecting rods from different pistons. It converts their up and down movement into _____ motion capable of driving the _____
- e) The _____ controls the opening and closing of the valves. It is connected to the valves by the _____

END