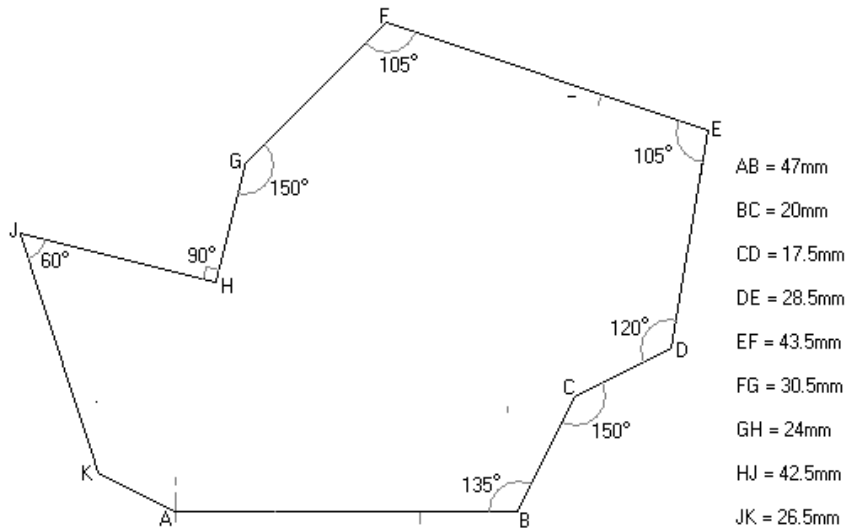


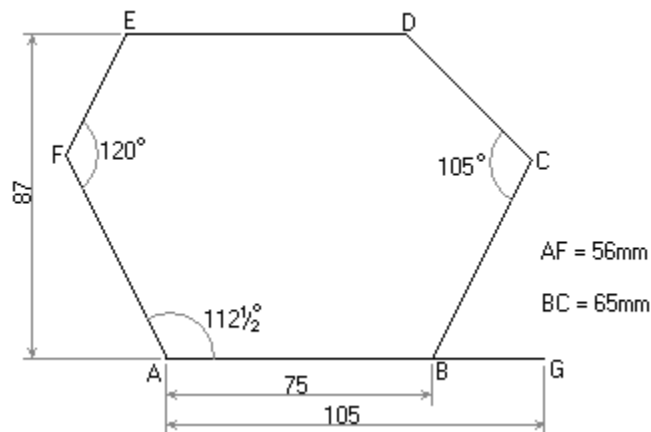
**S.1 Holiday Work (Technical Drawing)**

• **ATTEMPT ALL QUESTIONS**

1. Construct the figure below accurately showing all the construction details



2. Without the use of a protractor, construct the plane figure shown below



3. The sides of a triangle are in a proportion of 3 : 5 : 7 and the perimeter is 168mm. Construct the triangle and the circumscribing circle of it. Measure and state the lengths of sides of the triangle and the diameter of the circle.

4. The perimeter (160mm) and the altitude (60mm) of an isosceles triangle ABC are given.

- (a) Draw the triangle.
- (b) Draw a circle inscribing the triangle

5. An irregular polygon is shown in the figure below.

(a) Draw this polygon.

