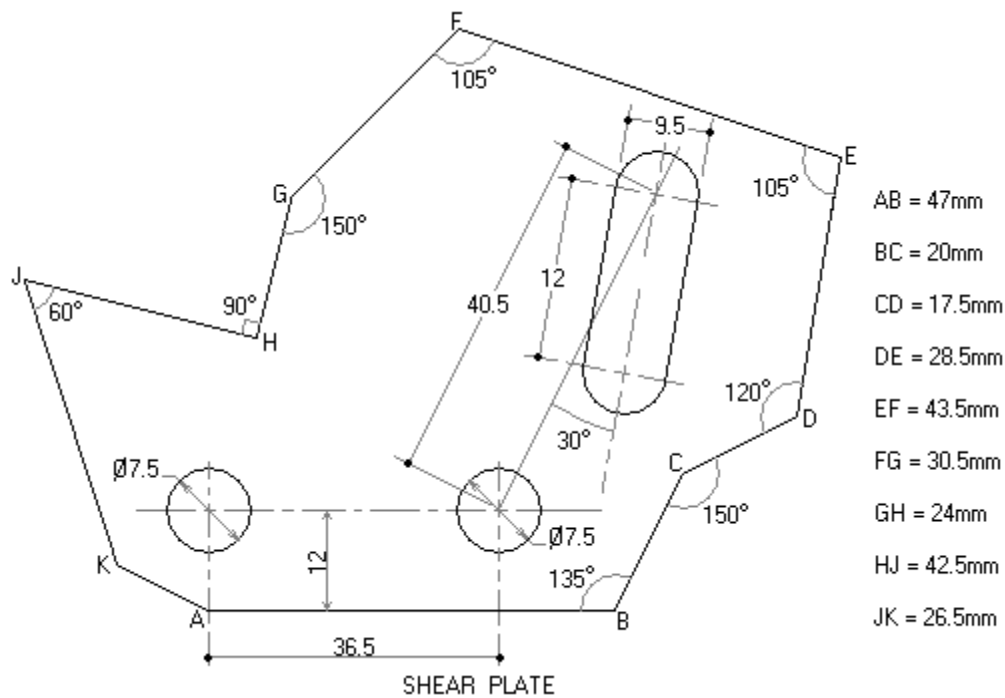


S1 TECHNICAL DRAWING HOLIDAY WORK MAY 2016

ANSWER ALL QUESTIONS

1. The layout of a shear plate is shown in the figure below.
 - (a) Draw the layout of the plate using scale 1:2. Where possible use geometrical methods of constructing angles.
 - (b) State the length of side KA.



2. The sides of a triangle are in a proportion of 5 : 7 : 9 and the perimeter is 270mm. Construct the triangle and the circumscribing circle of it. Measure and state the lengths of sides of the triangle and the diameter of the circle.
3. Draw a triangle having been given the following data:
 - The base as 100mm
 - One base angle as 48° and,
 - The sum of the two remaining sides as 235mm.